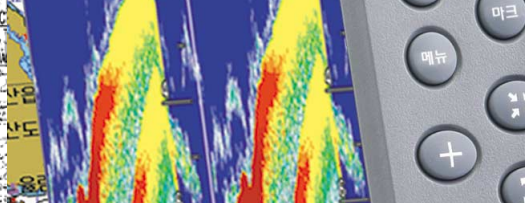
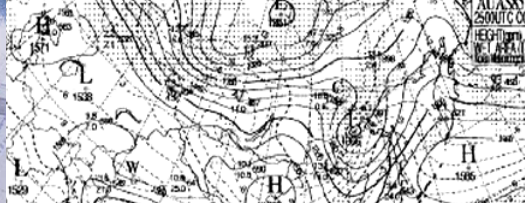




10.4"



Multi Media
GPS PLOTTER+FISHFINDER
NAVIS 5100/5100F

MAX
C-MAP NT

- AUDIO/VIDEO/TV/USB PORTS-
- WATCH MOVIES WITH BULTI-IN SPEAKER !!-



NEW



- High Accuracy GPS/WAAS Receiver-
- SAMYUNG Digital Cartography & C-MAP Chart-

- ◆ High Speed Processor
- ◆ C-Map NT+ MAX™ available
- ◆ Rugged & Water Resistant Frame
- ◆ State of the Art Samyung Chart Technology
- ◆ Dual Frequency Color LCD Fish Finder(NAVIS 5100F)



SAMYUNG ENC Co.,Ltd.

FEATURES

- Adoption of 10.4" TFT LCD color display enables better resolution.
- WGS-84 geodetic system automatically enables all the geodetic lines to automatically convert.
- Smooth conversion to other displays prevents the map from disappearing while ZOOM IN/OUT.
- C-MAP NT MAX™ available.
- Combination with SAMYUNG autopilot system offers perfect autopiloting.
- Latest electronic chart with wide range of updated technology offering a variety of information such as slime, rock, depth, trench, EEZ line, underwater cable line and the like.
- Straight pursuit and ZOOM IN/OUT enabling users to make exact calculation of fish group at the sea bottom (NAVIS 5100F)
- Use of 2(two) frequencies in common offering better judgment on minute fish groups.(NAVIS 5100F)

SPECIFACATION

CONTENT		MODEL	NAVIS 5100	NAVIS 5100F
GPS RECEIVER	Receiving frequency		L1 1575.42MHz(C/A CODE)	
	Receiving channel & tracking satellite		16 channels & 16 satellites	
	Receiving type		Digital 16 channel multi tracking type	
	Receiving sensitivity		-143dBm	
	Accuracy Velocity		10M 2D RMS(HDOP<2) (SA OFF) / 0.1kt RMS (HDOP<2) (SA OFF)	
PLOTTER	Display		10.4" COLOR VGA TFT LCD	
	Resolution		640×480 PIXELS	
	Projection		Mercator drawing	
	Effective range		below 85° of latitude	
	Way point		20,000 points	
	Effective range		0.25 mile ~ 5,000 mile(1/2000~1/37,500,000)	
	Tracking memory interval		1sec~60minute(0.01~9,99NM) set-up	
	Tracking capacity		20,000 points	
	Mark		Event mark : 21 kinds / Mark capacity : 10,000 points /capacity for user's drawing of shoreline : 8,000points 16 land coloring capacity for user's marking of shoreline : 1,000points / capacity for user's character of shoreline : 1,000points capacity for tracking marking : 1,000points / capacity for memory of destination : 1,000points capacity for memory of route : 20 routes (20 points/1 route)	
	Display mode		normal, true-motion, course-up, north-up, head-up function	
	Alarm		1)arriving alarm 2)off-course alarm 3)anchor alarm 4)boundary alarm	
	Temperature		Antenna : -40℃ ~ +50℃, Main unit : -10℃ ~ +50℃	
	Interface		SAMYUNG, NMEA0183, FURUNO(CIF), JRC	
Power supply		DC12V~36V, 40W		
FISH FINDER (NAVIS 5100F)	Operating frequency		50/200KHz 600W(dual)	
	Display color		16colors	
	Range of depth		5~1,500M(depth of water,automatic output power control)	
	Range of bottom		enlargement of tracing : 10, 20, 40, 80M, enlargement of flattened bottom : 2.5, 5, 10, 20, 40, 80M, partial enlargement : 5, 10, 20, 40, 80M	
	Shift speed		Stop, low speed, medium speed, fast speed, super fast speed	
	Information		depth, schools of fish, water temperature	
Display of function		Sensitivity, attenuation, transmitting output, time marking, depth, variable scales, color patterns		

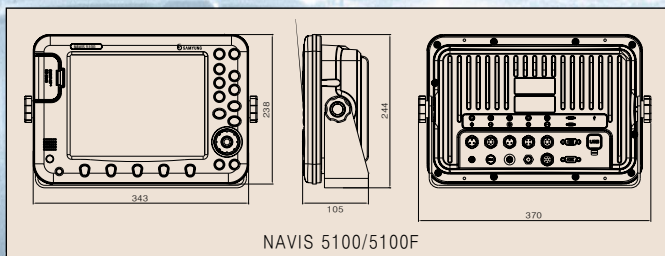
COMPONENT / DIMENSIONS

STANDARD

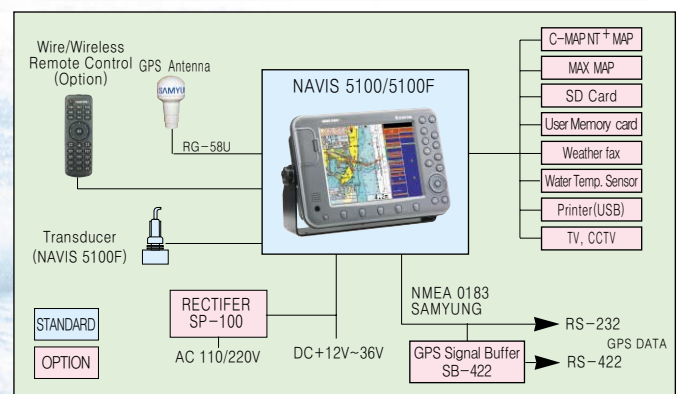
- GPS LCD plotter 1SET
- GPS antenna 1EA
- Transducer for (NAVIS 5100F) 1EA
- Installation materials, spare parts, manual 1LOT

OPTION

- SD Card
- C-MAP NT+, MAX
- Remote Controller
- Power Supply



CONFIGURATION



※본제품의 제원은 제품개선을 위해 예고없이 변경될 수 있습니다.



SAMYUNG ENC Co.,Ltd.

Head Office : 1123-17, Dongsam-Dong, Youngdo-Gu, Busan, Korea, 606-083
 Tel : 82-51-601-5532(Rep.) Fax : 82-51-413-4446
 A/S Center : 65-20, 2-Ga Namhang-Dong, Yungdo-Gu, Busan, Korea, 606-032
 Tel : 82-51-601-5570~4(Rep.) Fax : 82-51-416-5515
 Http : //www.samyungenc.com



ISO 9001:2000 / KS A 9001:2001
 Certificate No. : RQM0645

